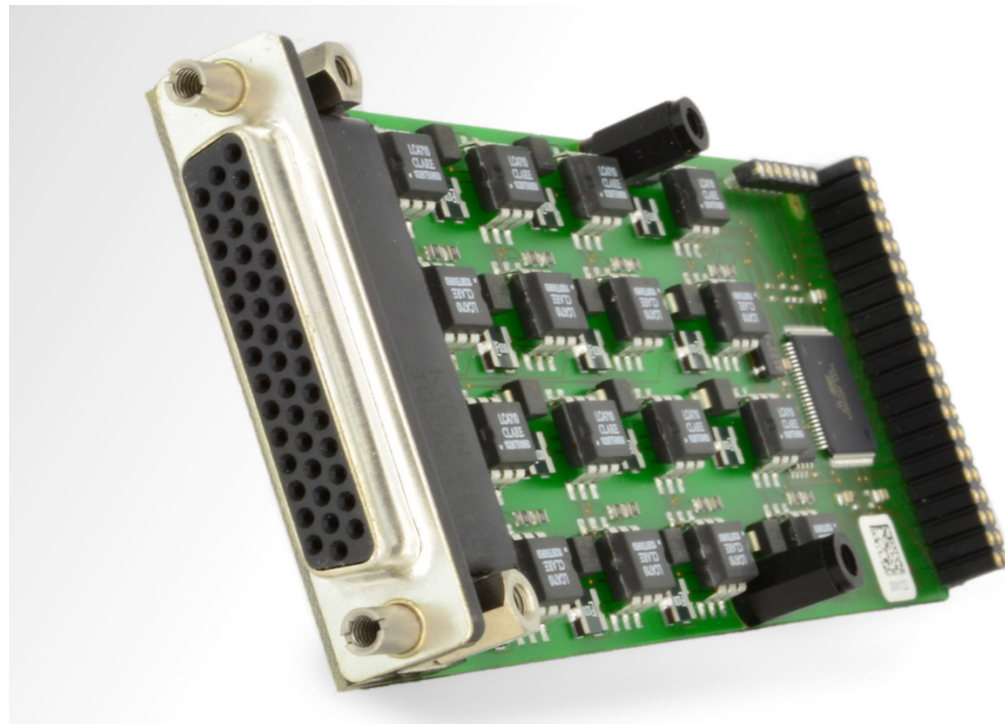


M81 – 16 Binary Outputs



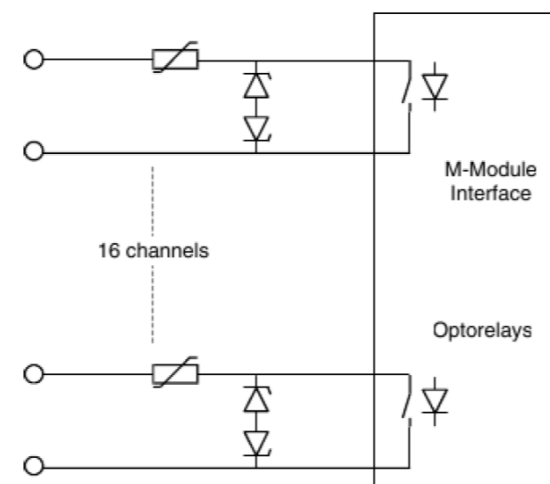
Features

- 16 digital outputs
- Opto-relay technology
- 500mA switchable per output channel (AC or DC)
- All inputs are optically isolated
- AC and DC loads switchable

Use Cases

- Fast switching AC- and DC loads in automated process control
- Routing of sensor or actuator signals to IO components
- Saving M-Module slots due to high-density connector

Block Diagram



Technical Data

Output channels	<ul style="list-style-type: none"> • 16 digital outputs • Output voltage: 0..36V • Output current <ul style="list-style-type: none"> • Max. 500mA per channel • Switching Times <ul style="list-style-type: none"> • Turn-on time: 700µs typ. • Turn-off time: 40µs typ. • Outputs are designed for AC and DC operation
Protection features	Thermal and short circuit protection
Connector	44-pin D-Sub connector (female)

Order Information

Order Number	IO-M81
--------------	--------

Alternatives

M413	Providing 5 channels with multiplexing features and higher maximum load
M43	With 8 channels in SPDT configuration