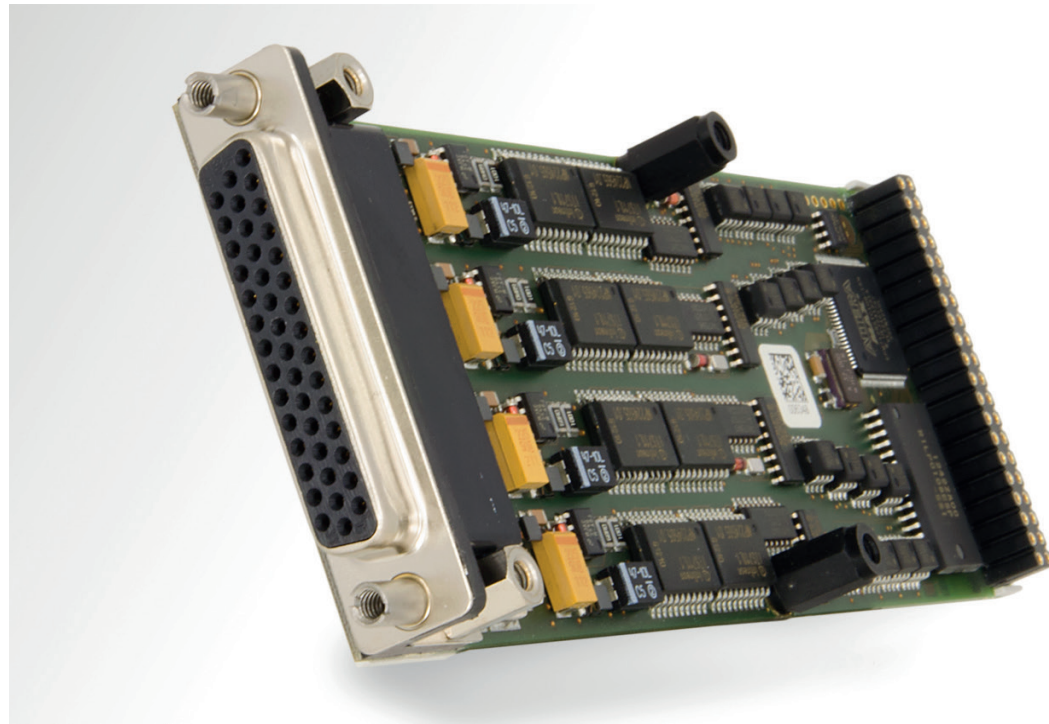


## M66 - 32 Binary In/Outputs



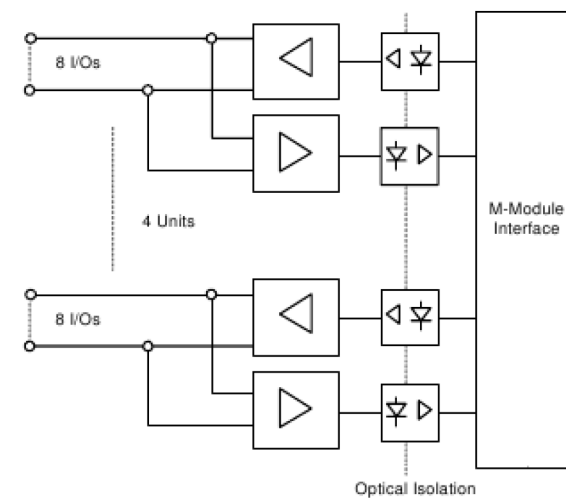
### Features

- 32 individual configurable IO channels
  - 4 optically isolated units
  - 8 channels for each unit
- Individual use as input or output channel
- Input/output load on ground
- High-side output switches
- High output current
  - max. 1.9A per channel, 4A per unit

### Use Cases

- Acquiring process control data in complex test systems
- Controlling complex automation systems
- Saving M-Module slots due to high-density connector

### Block Diagram



### Technical Data

Output channels	<ul style="list-style-type: none"> <li>• Output voltage range: 12V..32V</li> <li>• Output current log. 0: max. 10μA</li> <li>• Output current log. 1: max. 1.9A</li> <li>• Switching time for output change: 200μs typ.</li> </ul>
Input channels	<ul style="list-style-type: none"> <li>• Input voltage 0V..32V</li> <li>• Voltage level log. 0: 0V..6V or open</li> <li>• Voltage level log. 1: 12V..32V</li> <li>• Input current log. 1: 4.4mA @ 24V</li> <li>• Switching time for input change: 200μs typ.</li> </ul>
Protection features	Over current protection and over thermal protection, optical isolation
Connector	Shielded 44-pin HD-Sub connector (female)

### Order Information

Order Number	IO-M66
--------------	--------

### Alternatives

M408, M441	For high-end digital IO and PWM
M27, M28, M81	For cost attractive 16 channel variants
M409	Digital and analog IOs
M31, M32	Providing additional analog inputs as well as digital IOs