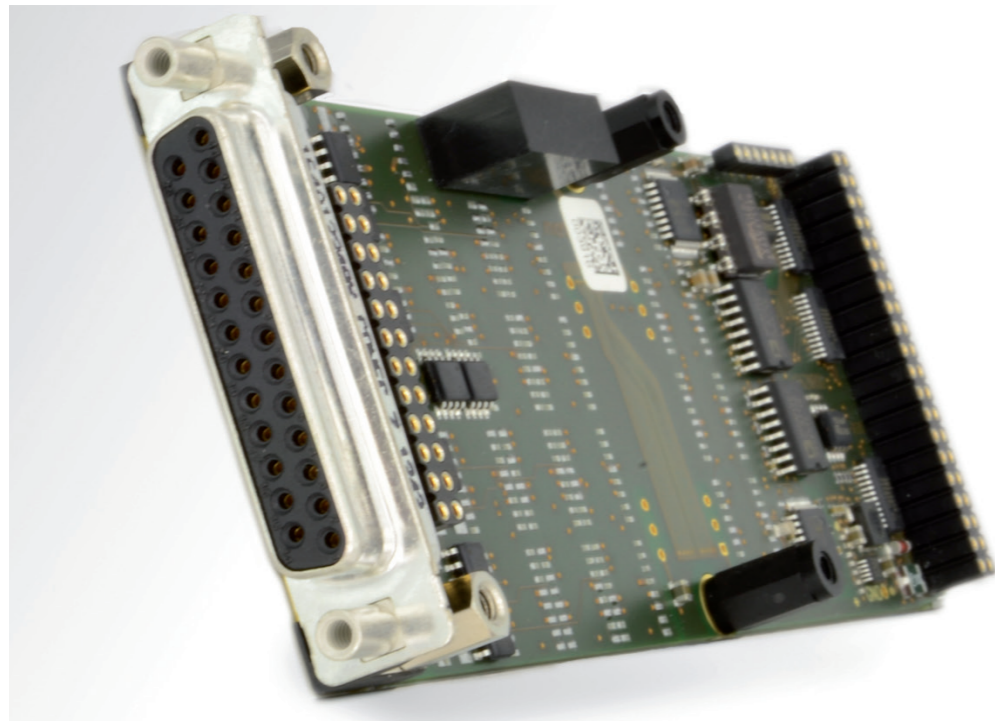


M62N – 16 Analog Outputs



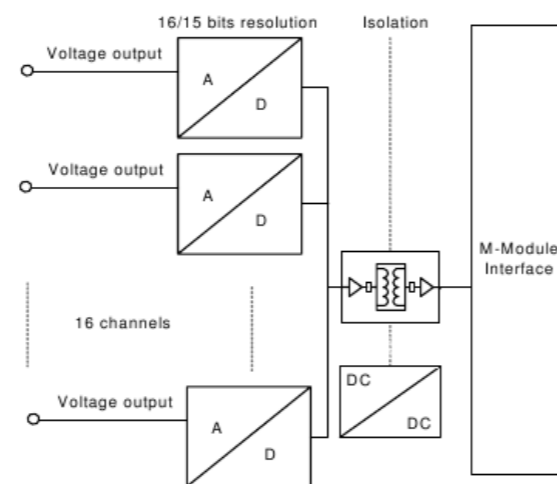
Features

- 16 channels
- 16 bits DA resolution (bipolar operation)
- 15 bits DA resolution (unipolar operation)
- Output current: 5mA max.
- Accuracy: $\pm 0.1\%$, ± 1 LSB differential
- Voltage ranges (programmable): 0..10V; -10V..+10V
- Programmable output mode (unipolar/bipolar)
- Isolated outputs

Use Cases

- Controlling actuators in automated processes
- Emulating the voltage output of analog sensors
- Driving loads with precisely controllable currents

Block Diagram



Technical Data

Output channels	<ul style="list-style-type: none"> • Voltage output • Output current: 5mA max. • Accuracy: $\pm 0.1\%$, ± 1 LSB differential • Voltage ranges (programmable): 0..10V; -10V..+10V
Connector	25-pin D-Sub connector (female)

Order Information

Order Number	IO-M62N
--------------	---------

Alternatives

M409	Providing additional analog inputs as well as digital IOs
------	---