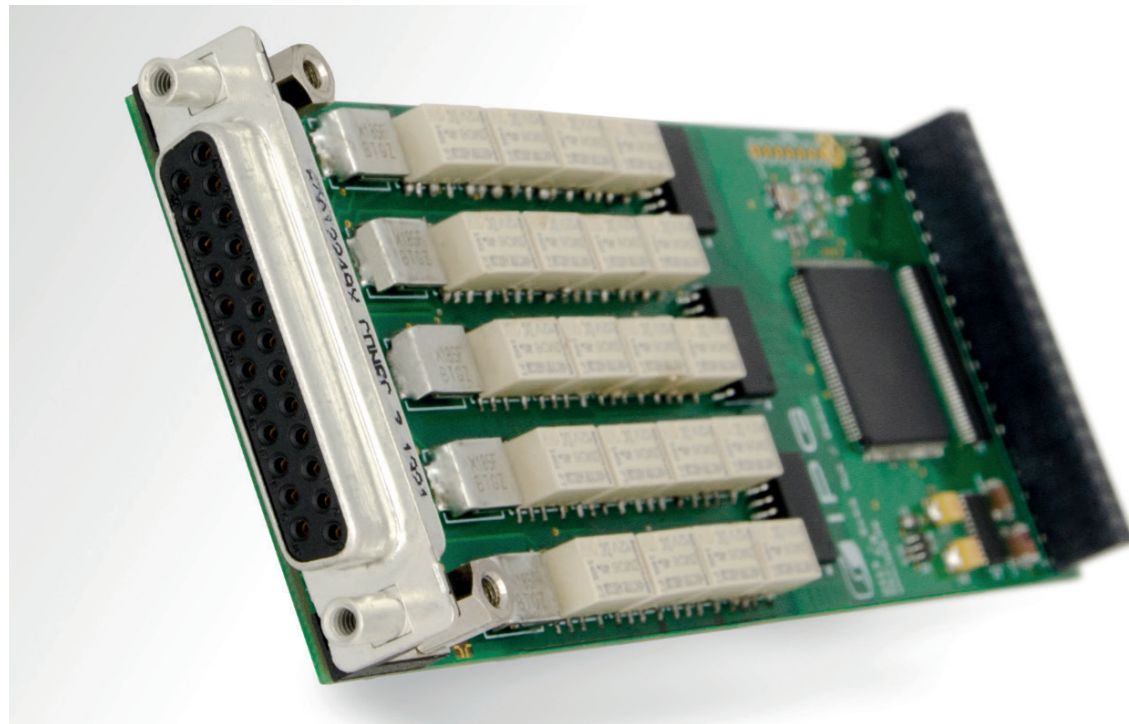


M413 – Multiplexer/Switches



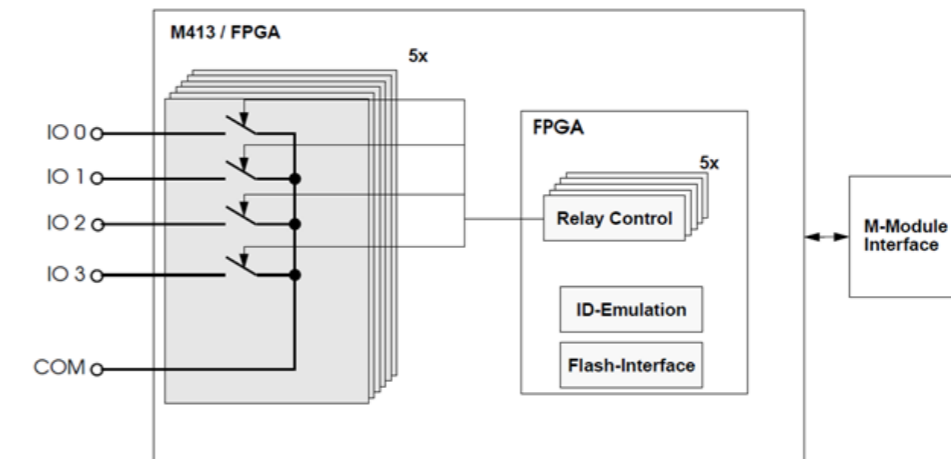
Features

- 5x 4:1 multiplexers
- Also usable as
 - 1x 16:1 + 1x 4:1-Mux
 - 1x 20:1-Mux
 - 2x 8:1 + 1x 4:1-Mux
 - Any other combination
- Maximum switching voltage: +/-60V
- Maximum continuous current: 1.8A
- On resistance: about 1.5Ohms
- Self resetable fuse for overload protection on each channel
- Galvanic isolation between system power and each channel

Use Cases

- Switching AC and DC loads in process automation applications
- Routing sensor signals to ECUs in automotive test systems

Block Diagram



Technical Data

Number of multiplexers	5
Multiplexer configuration	4:1
Maximum voltage	+/- 60V
Overload protection	1.8A per channel
Maximum current	1.8A per channel
On resistance	<20hm
Address space	A08D16
Connectors	25 pin SUBD receptacle connector , female

Order Information

Order Number	IO-M413
--------------	---------

Alternatives

M43	For an 8 channel relay board in SPDT configuration
-----	--