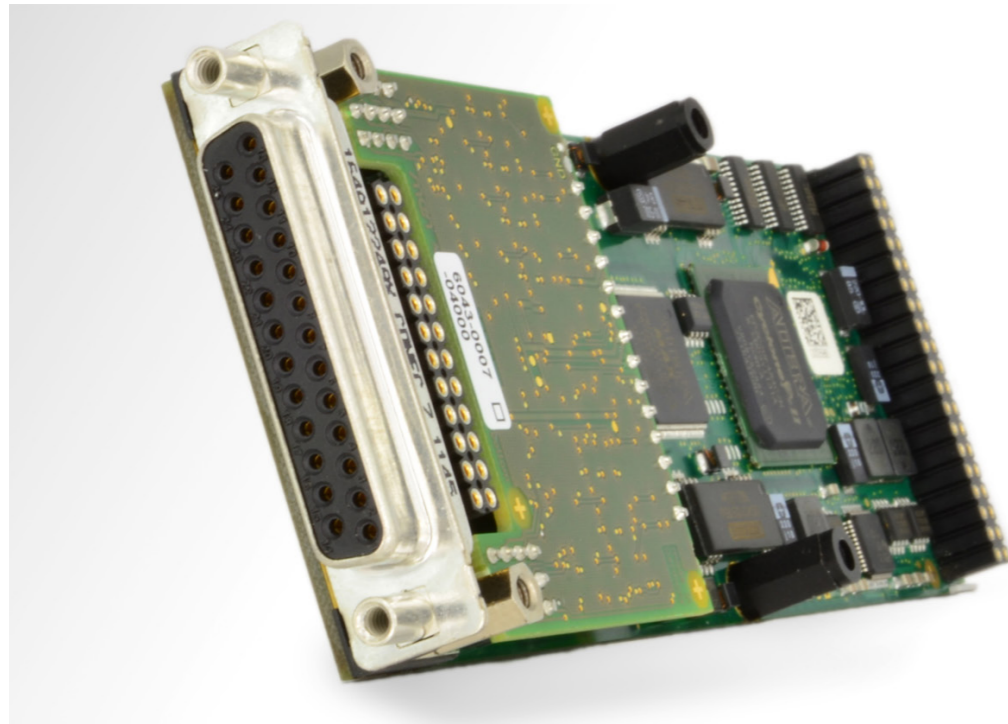


## M36N01 – 8 Analog Inputs, 16 Bits, Differential



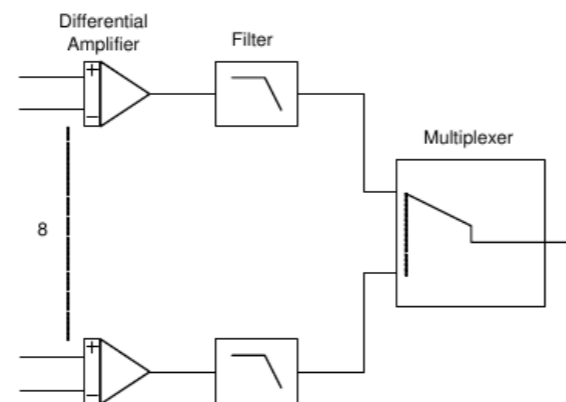
### Features

- 8 channels with 16 bits resolution
- Total acquisition time: 130µs for all channels
- Precision:  $\pm 0.05\%$
- Programmable gain factor of 1, 2, 4, 8 or 16
- Software-selectable unipolar or bipolar operation

### Use Cases

- Precisely sampling analog sensor information like pressure or temperature
- Monitoring voltage levels in complex test systems
- Acquiring information in automated processes

### Block Diagram



### Technical Data

Input channels	<ul style="list-style-type: none"> <li>• 8 analog inputs, differential</li> <li>• Low-pass filter 3kHz</li> <li>• Voltage measurement</li> <li>• Precision: <math>\pm 0.05\%</math> typ. (over the whole temperature range)</li> <li>• Voltage full scale bipolar operation: <math>\pm 10V</math></li> <li>• Voltage full scale unipolar operation: 0..10V</li> <li>• Input resistance: 400 kOhm typ</li> </ul>
Connector	25-pin D-Sub connector (female)

### Order Information

Order Number	IO-M36N01
--------------	-----------

### Alternatives

M36N-00	For 16 single-ended analog inputs
M35N-00	With 16 input channels and 14 bit resolution
M35N-02	With 8 differential inputs and 14 bit resolution
M409	Providing 5 analog inputs as well as digital IOs