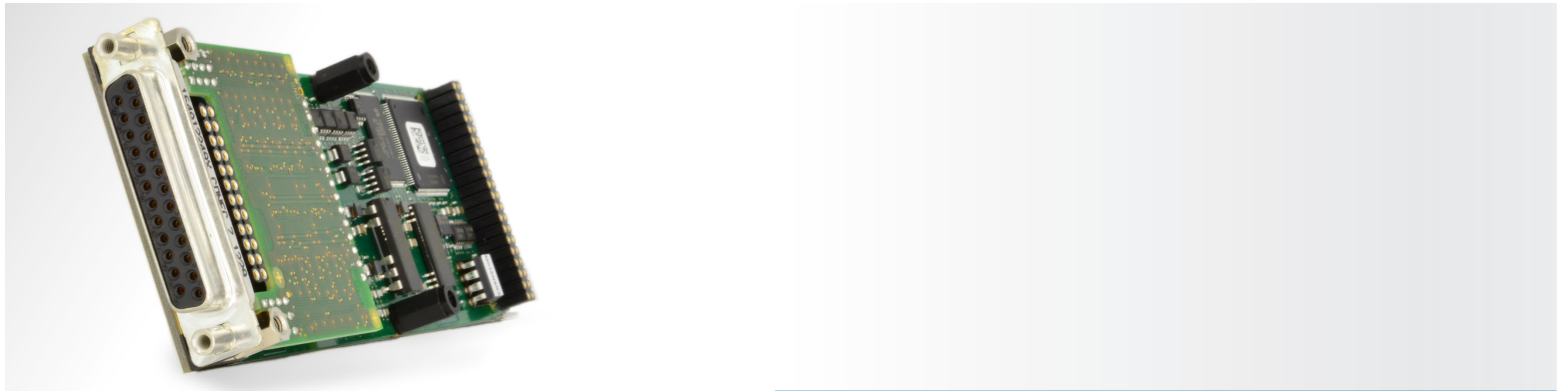


M36N00 – 16 Analog Inputs, 16 Bits, Single-Ended



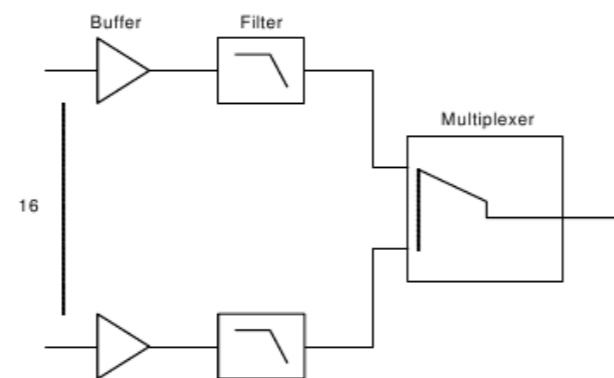
Features

- 16 channels with 16 bits resolution
- Total acquisition time: 130µs for all 16 channels
- Precision: ±0.05%
- Programmable gain factor of 1, 2, 4, 8 or 16
- Software-selectable unipolar or bipolar operation

Use Cases

- Precisely sampling analog sensor information like pressure or temperature
- Monitoring voltage levels in complex test systems
- Acquiring information in automated processes

Block Diagram



Technical Data

Input channels	<ul style="list-style-type: none"> • 16 analog inputs, single-ended • Low-pass filter 1kHz • Selfrunning voltage measurement • Precision: ±0.05% typ. (over the whole temperature range) • Voltage full scale bipolar operation: ±10V • Voltage full scale unipolar operation: 0..10V • Input resistance: 100 kOhm, ±10%
Connector	25-pin D-Sub connector (female)

Order Information

Order Number	IO-M36N00
--------------	-----------

Alternatives

M36N-01	For 8 differential analog inputs
M35N-00	With 16 input channels and 14 bit resolution
M35N-02	With 8 differential inputs and 14 bit resolution
M409	Providing 5 analog inputs as well as digital IOs