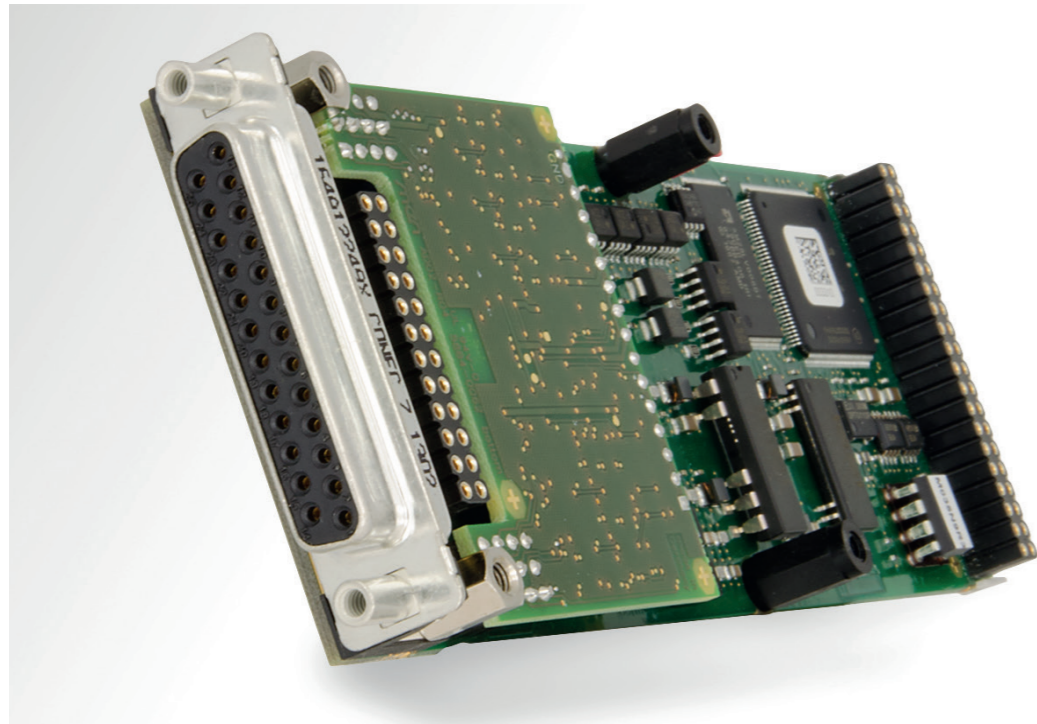


M35N02 – 8 Analog Inputs, 14 Bits, Differential



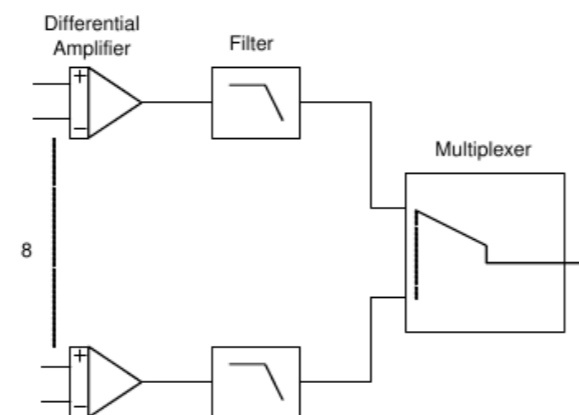
Features

- 8 analog inputs
- 14 bits resolution @ 7.8 μ s
- Programmable gain factor of 1, 2, 4 or 8 (factor 16 by jumper)
- Software-selectable unipolar or bipolar operation
- 3 kHz lowpass filter

Use Cases

- Sampling analog sensor information like pressure or temperature
- Monitoring supply voltages in complex systems
- Reading current flows for protection purposes

Block Diagram



Technical Data

Input channels	<ul style="list-style-type: none"> • 8 analog inputs, differential • Low-pass filter 3kHz • Voltage Measurement • Voltage max.: $\pm 200V$ (common mode) • Voltage full scale: $\pm 10V$ • Input resistance: 400 kOhm typ.
Galvanic isolation	Optical isolation for each channel
Connector	25-pin D-Sub connector (female)
Special HW-Diver feature	Simultaneous read of up to 4 modules

Order Information

Order Number	IO-M35N02
--------------	-----------

Alternatives

M35N-00	For 16 single-ended inputs
M36N-00	With 16 channels and 16 bit resolution
M36N-01	With 8 differential inputs and 16 bit resolution
M409	Providing 5 analog inputs as well as digital IOs