

M35N00 – 16 Analog Inputs, 14 Bits, Single Ended



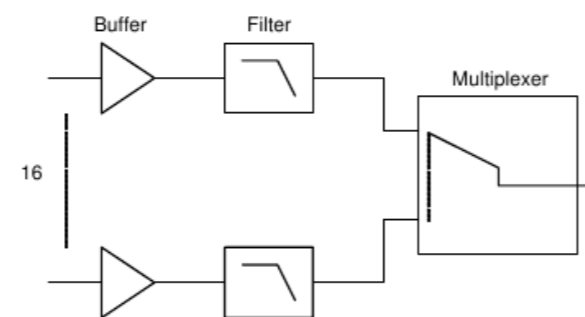
Features

- 16 analog inputs
- 14 bits resolution @ 7.8 μ s
- Programmable gain factor of 1, 2, 4 or 8 (factor 16 by jumper)
- Software-selectable unipolar or bipolar operation
- Sample and hold
- 1 kHz lowpass Filter

Use Cases

- Sampling analog sensor information like pressure or temperature
- Monitoring supply voltages in complex systems
- Reading current flows for protection purposes

Block Diagram



Technical Data

Input channels	<ul style="list-style-type: none"> • 16 analog inputs, single-ended • Low-pass filter 1kHz • Voltage measurement • Voltage full scale: ± 10V • Input resistance: 100 kOhm, $\pm 10\%$
Galvanic isolation	Optical isolation of the module
Connector	25-pin D-Sub connector (female)
Special HW-Driver feature	Simultaneous read of up to 4 modules

Order Information

Order Number	IO-M35N00
--------------	-----------

Alternatives

M35N-02	For 8 differential inputs
M36N-00	With 16 channels and 16 bit resolution
M36N-01	With 8 differential inputs and 16 bit resolution
M409	Providing 5 analog inputs as well as digital IOs