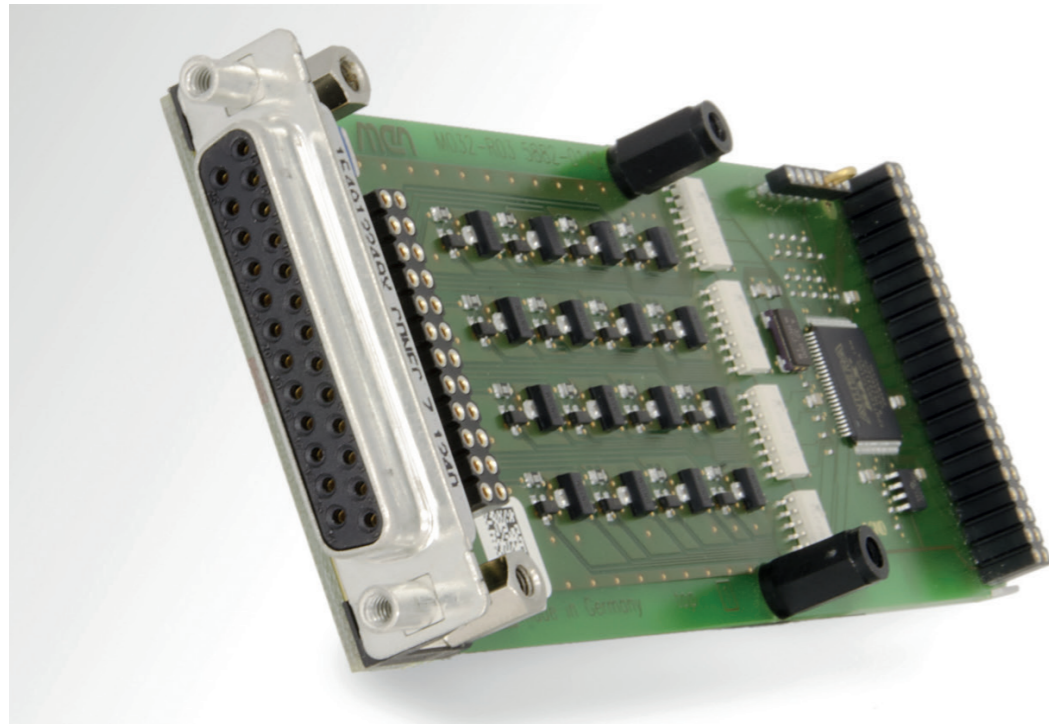


M32 – 16 Binary Inputs, Load on Supply Voltage



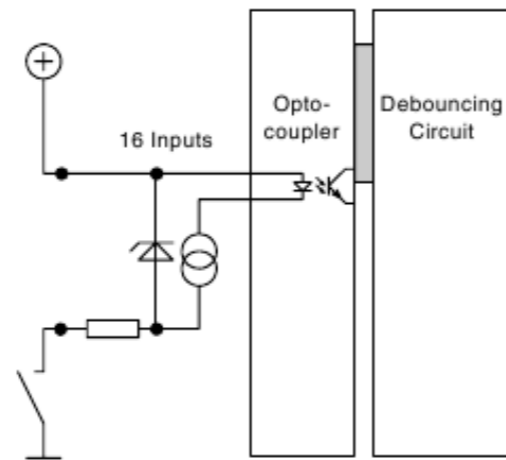
Features

- Load on supply voltage
- 16 individual programmable digital inputs
- Wide input range (0-40V)
- FET constant current source inputs
- Switchable debouncing feature (14ms debouncing time)
- Input voltages and currents:
 - 5..40V; 2.5..3.5mA (high level)
 - 0..1V; 0..0.2mA (low level)

Use Cases

- Getting process status from digital sensors
- Reading binary coded information
- Acquiring user inputs from push-buttons

Block Diagram



Technical Data

Input channels	<ul style="list-style-type: none"> • 16 digital inputs • Load on supply voltage, common gnd • FET constant current source inputs
Input voltages and currents	<ul style="list-style-type: none"> • 5..40V; 2.5..3.5mA (high level) • 0..1V; 0..0.2mA (low level) • Common ground
Galvanic isolation	Optical isolation for each channel
Connector	25-pin D-Sub connector (female)

Order Information

Order Number	IO-M32
--------------	--------

Alternatives

M408	For universal and PWM input on 20 channels
M409	With 8 digital inouts and additional analog and digital IOs
M66	Providing 32 IOs
M31	A common ground variant