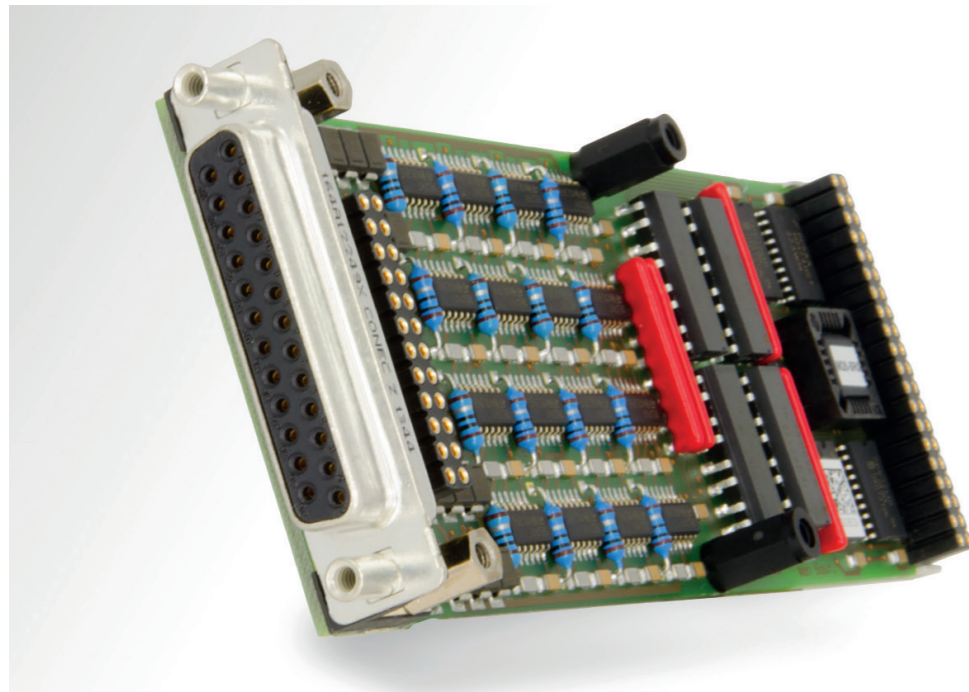


## M28 – 16 Binary Outputs, High Side Switch



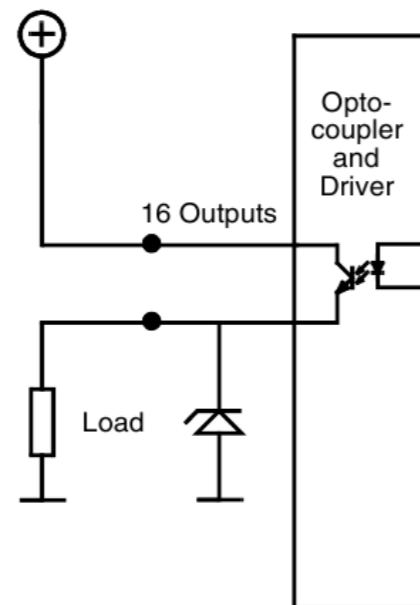
### Features

- 16 individual programmable digital outputs
- Fast switching, bipolar transistor technology
- Open emitter outputs
- Suppressor diode protection against inductive loads
- 500mA per channel
- Optically isolated outputs
- Common ground

### Use Cases

- Switching high-voltage/high-current loads via relays
- Process status display by switching LEDs
- Switching other loads up to 500mA

### Block Diagram



### Technical Data

Output channels	<ul style="list-style-type: none"> <li>• 16 digital outputs</li> <li>• Open emitter, bipolar transistor outputs</li> <li>• High side switch (load ground)</li> <li>• 8V..36V; 500 mA (closed)</li> <li>• 2V max.; 10 <math>\mu</math>A max. (open)</li> <li>• Common ground</li> </ul>
Galvanic isolation	Optical isolation for each channel
Protection features	<ul style="list-style-type: none"> <li>• Thermal and short circuit protection</li> <li>• Suppressor diodes - protect against inductive loads</li> </ul>
Connector	25-pin D-Sub connector (female)

### Order Information

Order Number	IO-M28
--------------	--------

### Alternatives

M409	Providing digital and analog IOs
M441	With 16 channel high-end PWM outputs
M27	For a low-side switch variant
M66 and M81	