

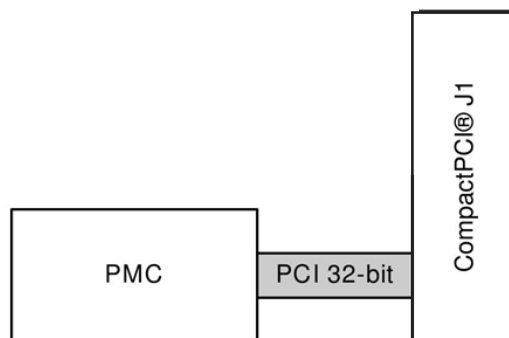
## F213 – CompactPCI® PMC Carrier Board



### Features

- Mezzanine slots
  - One PMC slot
    - 32-bit, 33MHz or 66MHz
- CompactPCI® bus
  - Compliance with CompactPCI® core specification PICMG 2.0 R3.0
  - 32-bit/33-MHz PCI-to-PCI adapter
  - V(I/O): +3.3V or +5V (adjustable via CompactPCI key)
- Mechanical specifications
  - Dimensions: Conforming to CompactPCI® specification for 3U boards
  - Also available with 6U front panel
  - Front panel: 4HP with ejector

### Block Diagram



### Order Information

Order Number	IO-F213-3U
Order Number	IO-F213-6U