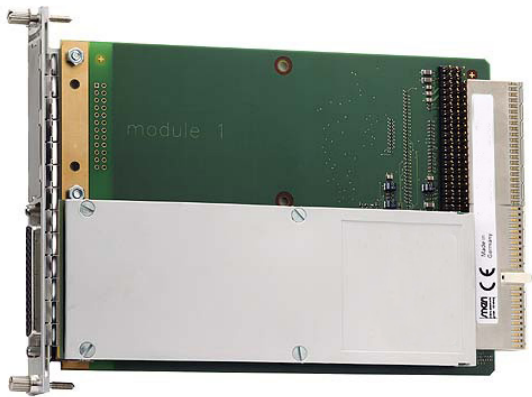


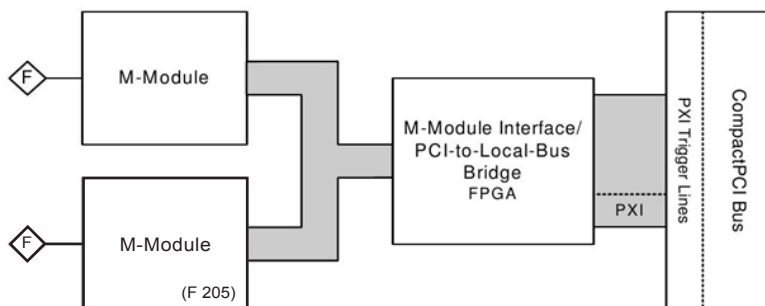
# F205 – CompactPCI®/PXI™ M-Module™ Carrier Board



## Features

- M-Module™ slots
  - Two M-Module™ slots
  - Compliant with M-Module™ standard
  - Characteristics: A08, A24, D08, D16, D32
- Peripheral connections
  - Via front panel
- CompactPCI® bus
  - Compliance with CompactPCI® specification 2.0 R2.1
  - Only one slot on the CompactPCI® bus required
- 32-bit/33-MHz PCI-to-M-Module™ bridge
- FPGA-based
- Compliant with PCI specification 2.2
- Mechanical specifications
  - Dimensions: 111.7mm x 160mm standard
  - Front panel: aluminum without handles, cut-outs for front connectors of 2 M-Modules™
- Special form factor for RoadBox usage

## Block Diagram



## Order Information

Order Number	IO-F205

\* This pcb format exceeds the standard by 11.7mm