

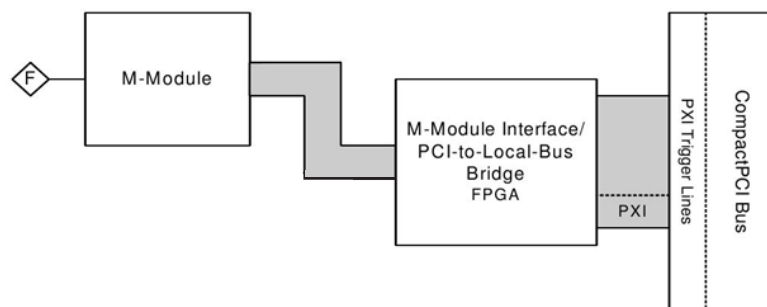
F204 – 3U CompactPCI®/PXI™ M-Module™ Carrier Board



Features

- M-Module™ slots
 - One M-Module™ slot
 - Compliant with M-Module™ standard
 - Characteristics: A08, A24, D08, D16, D32, INTA, TRIGI, TRIGO
- Peripheral connections front connec
 - Via front panel
- CompactPCI® bus
 - Compliance with CompactPCI® specification 2.0 R2.1
 - Only one slot on the 3U CompactPCI® bus required
 - 32-bit/33-MHz PCI-to-M-Module™ bridge
 - FPGA-based
- Compliant with PCI specification 2.2
- Mechanical specifications
 - Dimensions: 111.7mm x 160mm standard
 - Front panel: aluminum with one handle, cut-outs for front connector of M-Module™
- Special form factor for RoadBox usage

Block Diagram



Order Information

Order Number	IO-F204
--------------	---------